

**Proven
Performance**

McCloskey INTERNATIONAL **S130**



S130 High Energy Screener

The McCloskey S130 represents the most advanced 14'x 5' portable vibratory screening plant in production today. Combining this class leading screening area with the McCloskey High Energy Screen technology ensures that no other similar size screener can compare.

"I have been operating the same brand of machinery for nearly 25 years. Having recently tested and purchased the McCloskey S130, we have found its performance and quality to be significantly higher than our previous machines. We have been so impressed with the quality of service and the machine itself, we look forward to adding to our McCloskey range in the near future".

John Grant
Director of M&G Fuels, England

Options

Roll in bogie system on track units.

Shredder.

Heavy duty single or double deck vibrating grid.

Feeder extension of 3ft (915mm), with capacity increased to 13.5yd³.



McCloskey
INTERNATIONAL

Features & benefits

14ft (4267mm)

Grid opening -

Allows the use of larger loading shovels.

48"(1200mm)

Feed conveyor -

For free flow of materials on the main conveyor. Optimised spreader plate ensures greater screen coverage, and wider chutes minimise potential spillage and blockages.

Highly aggressive 14x5 (4200x1524mm) screenbox -

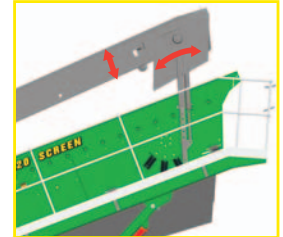
Provides comparable product capacity with other larger class competitor models.

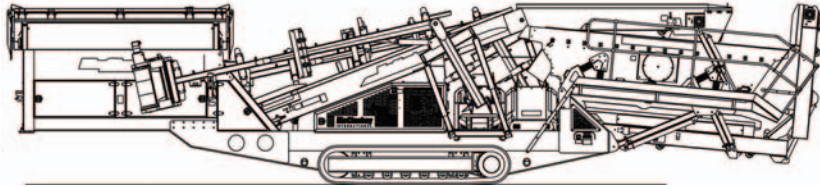
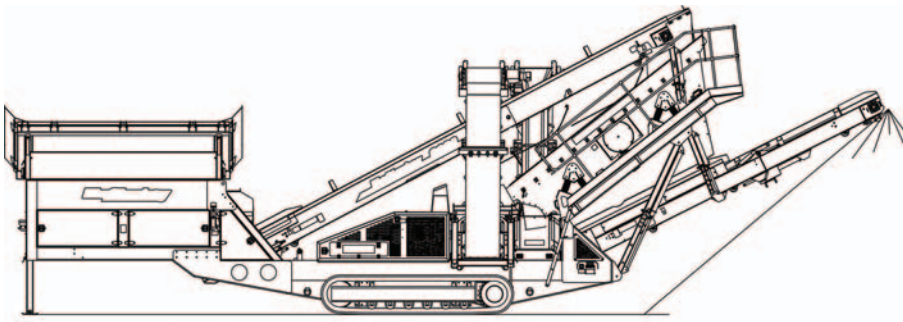
Wedge system -

User friendly wedge system ensures faster screen change.

Hydraulic screenbox linkage system -

Allows greater accessibility for screen change, and enables optimum screen coverage at varying screenbox angles.





S130 Dimensions and weight

Length - transport	15.09m (49' - 6")
Width - transport	2.90m (9' - 6")
Height - transport 2 deck track	3.40m (11' - 2")
Height - transport 2 deck wheel	3.68m (12' - 1")
Weight - 2 deck track	27,200kgs (59,965 lbs) - estimated
Weight - 2 deck wheel	23,000kgs (50,706 lbs) - estimated

See it in action...
View working videos, customer testimonials and more at www.mccloskeyinternational.com



N.America & S.America
#1 McCloskey Road, RR#7
Peterborough, Ontario Canada,
K9J 6X8
1-877-Trommel
T (705) 295-4925
F (705) 295-4777
mccloskey@mccloskeyinternational.com

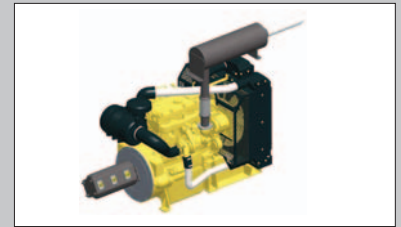
UK & International
47 Moor Road,
Coalisland,
Co Tyrone,
N.Ireland BT71 4QB
T +44 (0) 2887-740-926
F +44 (0) 2887-747-242
salesuk@mccloskeyinternational.com

McCloskey International reserves the right to make changes to the information and design of the machines on this brochure without reservation and notification to the users. McCloskey International assumes no liability resulting from errors or omissions in this document.



Coal application

Standard Features



Durability

Branded components throughout- CAT Engine, David Brown Pumps, 2 Pack Paint system.

Heavy duty hardox steel.

Innovative design.

High efficiency diesel hydraulic system allows higher throughput and lower fuel consumption.



Maintenance/User friendly

Accessible engine bays.

Fixed galvanised walkways.

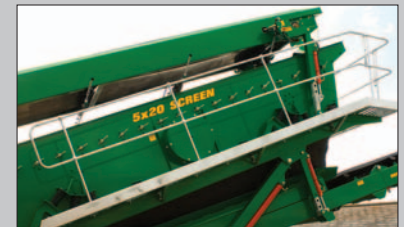
Universal user friendly controls throughout the McCloskey line.

10min setup time.

Highly maneuverable onsite.

Unique user friendly belt adjusters.

Universal dimensions allow meshes to be used throughout the McCloskey S Line.



Authorised dealer.